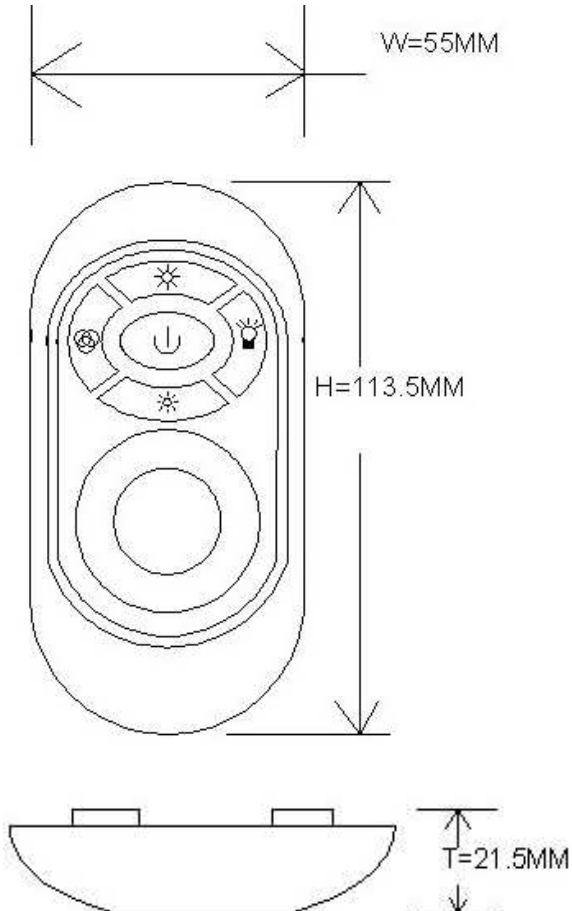


FUT-005(DC12V/24V) LED Controllers



● Wide options of over 640,000 colors, change according to your mood

Dimensions:



Specifications:

- Name: LED Controllers
- Input Voltage: DC12V,DC24V(optional)
- Connection type: Common anode
- Radio frequency: 433.92MHz
- Receiver sensitivity: -105dbm
- Radio receive way: ASK
- Max STDBY current: 10mA
- Max load: 5A(each circuit)
- Control mode: PWM
- Control way: 3 ways , respectively corresponding R、 G、 B three colors
- Static power consumption: 30LED/M : $\leq 5.4W$ 60LED/M: $\leq 10.8W$
- Static current: 30LED/M : 450mA 60LED/M: 900mA
- Working temperature: -20~80 degrees
- Material : Controller: aluminum remote: ABS+PC
- Life span: 50,000h
- Size: Remote:114x56x22mm Controller: 65x38x25mm
- Packing: 7*7*12.5cm
- G.W.: 0.15kgs/set
- Telecontrol distance: 20m
- Max no. of memory telecontroller: 6pcs

Attention:

- Far away from the moisture.
 - Suitable only for indoor use.
 - Please don't put the lamp on the hot surface.
 - Please don't open the power supply, controller or telecontroller.
- Please contact us if you have any questions.

Feature chart for Key 2

1	Auto color changing	8 grades of brightness to adjust by pressing Key 4 or Key 5.			
2	Three colors jumps to change	8 grades of speed to adjust by pressing Key 4 or Key 5	9	Green color jumps to change	8 grades of brightness to adjust by pressing Key 4 or Key 5.
3	Seven colors jumps to change		10	Yellow color jumps to change	
4	Three colors jumps to gradual change		11	Cyan color jumps to change	
5	Seven colors jumps to gradual change		12	White color jumps to change	
6	Red color jumps to change	8 grades of brightness to adjust by pressing Key 4 or Key 5.	13	Red/blue light twinkles alternately	8 grades of speed to adjust by pressing Key 4 or Key 5.
7	Blue color jumps to change		14	Green/blue light twinkles alternately	
8	Purple color jumps to change		15	Green/blue light twinkles alternately	

5. Caution:

Please don't touch or press the color ring while loading the batteries to protect the sensitiveness. Please use the remotecontroller 3 seconds after the batteries are loaded. Please reload the batteries when you find the color ring is not sensitive.

6. Connecting chart

