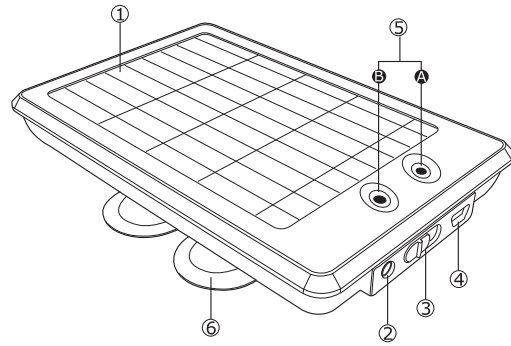


User Manual

Solar Charger

Model: SBC-06-A

NEW

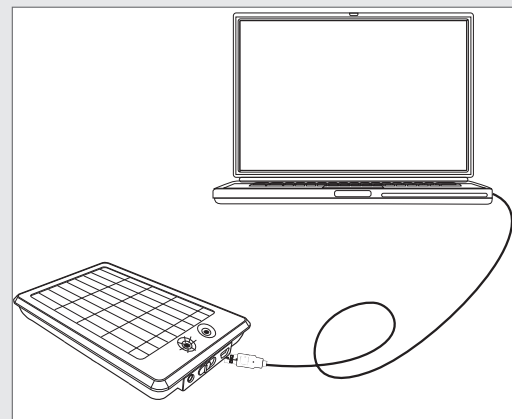


- ① Solar Panel
- ② DC OUT
- ③ Voltage Control
- ④ DC IN
- ⑤ LED
 - A Suction pads (not sticker)
 - B Item 5 LED - - A should be B and B should be A
- ⑥ Sticker

.1.

2.Charging by PC using the USB charging cable:

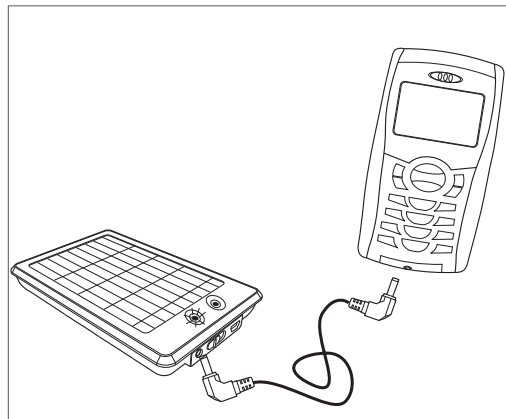
Plug the charging cable into laptop or PC USB socket, connect other end of cable to the charger (LED will glow Red during charging) Approximately 3-4 hours later the internal Li-ion battery will be fully charged and indicator will glow Green. Unplug unit when fully charged



.4.

3.Charging portable digital devices

Select correct voltage for the device you are charging (cell phone usually 5.5V. Digital cameras usually 7.5V and Portable DVD players 9.5V) Plug the switching cable to the DC socket of the charger, then connect the other end to the digital device you are charging via the adaptor, if you are charging a cell phone the power indicator on the phone will show as charging.



.5.

Specification:

- 1.Solar Panel (mono/multi crystalline) : 5.5V 100mA
- 2.Rechargeable Lithium battery: 3.7V 2000mAh
- 3.USB charging cable: 5V 500mA
- 4.DC Output: 5.5 +- 0.5% 500mA
7.5 +- 0.5% 350mA
9.5 +- 0.5% 300mA
5. Charging time for mobile phone: 1-2 hours
6. Charging time for internal Lithium battery using the solar panel: 12-20 hours
7. Charging time for internal Lithium battery using PC adaptor: 3-4 hours (advanced charge management features internal circuitry for Li-ion battery constant voltage safety)

Featurec

- 1.You can charge from sunlight via the solar panel or use our supplied USB charging cable to charge the internal Li-ion battery.
- 2.Adaptors for major brand phones such as Nokia, Sony-Ericsson, Samsung, Siemens and Motorola are provided. If adaptors don't match your phone please purchase them at from your local agent.
- 3.This appliance can also provide power to other digital devices such as Digital Cameras, PDA and Portable DVD players.
- 4.Charge/Discharge indicator: The Charge/Discharge indicator will be on when using the solar panel or via PC or when charging any digital device. The indicator light will also come on when the internal battery power is very low.

.2.

After approximately 1~2 hours the indicator in your cell phone will show as being fully charged, Unplug switching cable from charger. If the LED goes out during the charging process that signifies that the charger is out of power and needs to be recharged either using the solar panel or a PC with the USB connector. Unit can be connected to PC and be charged at the same time as the unit is charging a cell phone.

Warning:

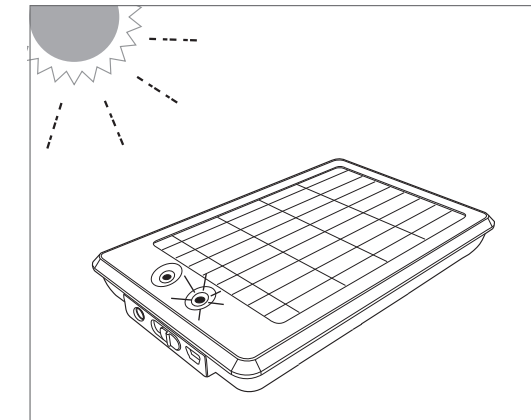
- 1.Keep away from fire, water and moisture to avoid leakage or battery explosion
- 2.Do not subject the solar charger to severe shock
- 3.Only professional technicians should service the unit
- 4.Please ensure the chargers voltage is set to the correct setting to match the device you are charging so as to prevent short circuit.

.6.

Operation Instruction:

1. Charging via Solar panel:

Ensure the solar panel is facing the sun (LED will light Red which confirms the internal battery is charging) When the light gets brighter the current is higher. If the solar panel is not facing the sun the LED will be off or very dim signifying that the solar panel is not charging. When the battery is fully charged LED will turn Green.



.3.

Special Note

- 1.Please take note to the change of colour on the output indicator to know the status of the power in the charger
- 2.Be sure to charge the internal lithium battery for several hours if the indicator light is off.
- 3.If charging has terminated it is due to unstable output and the charger has shut down to protect your mobile phone.
- 4.You can continue to charge your mobile phone only after several hours charging to the solar chargers li-ion battery and when the indicator light has gone out.

Extras (included)

- 1.Solar charger connectors
- 2.Mobile/cell phone adaptors
- 3.Switching Cable

OPTIONAL EXTRAS (not included)

AC-DC adaptor

.7.