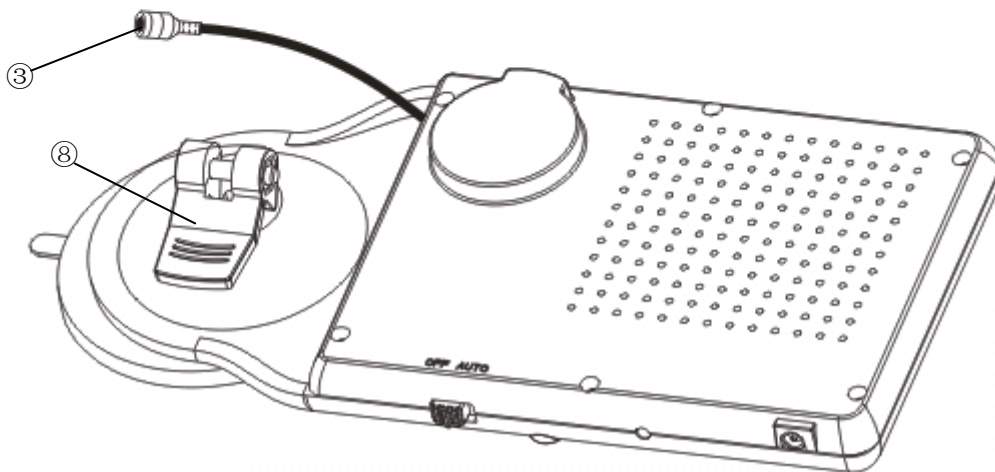
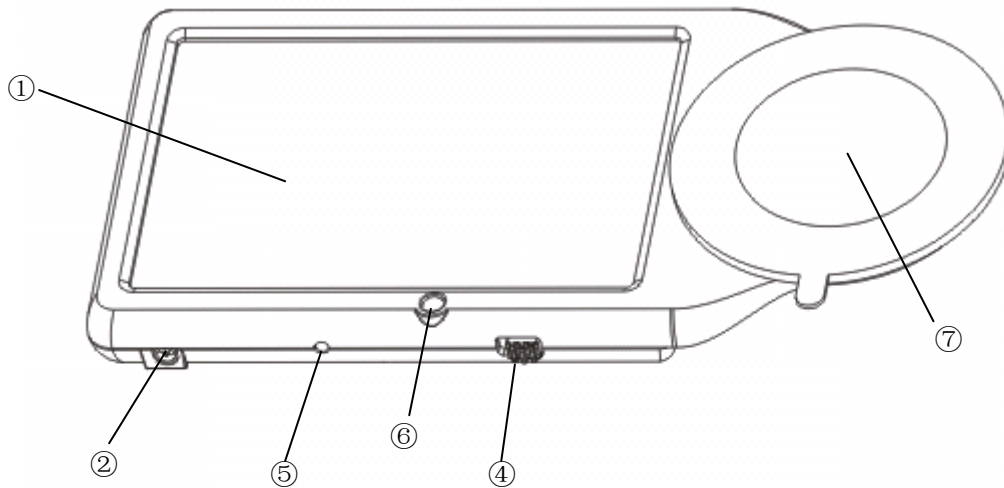


User Manual

Solar Charger (for car)

Model:SBC-22

- ① Solar Panel
- ② DC input socket
- ③ DC output socket
- ④ Switch
- ⑤ Charging indicator
- ⑥ Alarm LEDs
- ⑦ Suction cup
- ⑧ Suction Press Handle

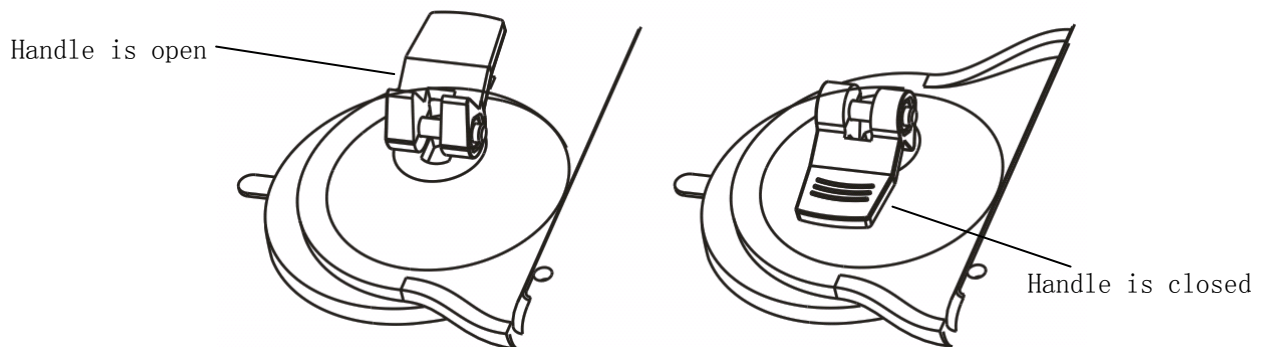


Electrical Characteristics:

1. solar panel: 5.5V 1W
2. Li-ion battery: 3.7V , 1600mAh, Storage temperature(-10°C to +90°C)
3. DC Output: 5.0V±5% 500mA
4. Charging time for mobile phones and GPS: 2-3 hours (to working capacity)
5. Charging time for internal Lithium battery using the solar panel:
8-9 hours
6. Charging time for internal Lithium battery by using PC adaptor (advanced charge management features internal circuitry for Li-ion battery constant voltage safety):
3-4 hours (for 1600mAh Lithium battery)

Other Characteristics:

1. manufactured with high quality plastic, ultraviolet radiation proof, high working temperature (max 90°C).
2. simple attaching to your cars windscreen, just adhere the solar panel unit via the suction cup in front of your rear view mirror and the unit is ready to operate without any loss of vision. Can be easily adhered to any window in your car to maximise sunlight (**Firstly**, open the suction handle, press the suction cup onto the windscreen then simply clamp the suction handle down).



3. simple charging operation, just pull out the extendable cable and select the correct connector, plug in, and commence charging.
4. The unit also has a blue warning LED which simulates a car alarm, to deter thieves.
5. the only solar charger on the market which can work perfectly in high temperature conditions in your car!

Features

1. You can charge from sunlight via the solar panel or use our supplied cable to charge the internal Li-ion battery.
2. Adaptors for major brand phones such as Nokia, Sony-Ericsson, Samsung, Motorola are provided. If adaptors don't match your phone please purchase them from your local agent.
3. This appliance can also provide power to other digital devices such as GPS, Digital Cameras, PDA and Portable DVD players.
4. With one LED to show charging condition
5. With one blue LED which simulates a car alarm, to deter thieves, there is a switch to select the state of the LED(Auto or OFF)
6. Efficiency:>80%

Operating Instructions

1. Charging via Solar panel:

Ensure the solar panel is facing the sun, the Charging Indicator will light Red which confirms the internal battery is charging.

2. Charging by other charge method using the cable(optional):

Comes with a socket which can be inserted into the cars lighter socket to charge internal battery, the Charging Indicator will light Red which confirms the internal battery is **being** charged, When the Charging Indicator turns green, It means the internal battery is fully charged.

3. Charging your GPS or other digital devices

Connect your device via the connector, your device will be charged

after 2~3 Hours When charging is complete please pull out the cable from the charger.

Warning

1. Keep device away from fire, water and moist places in order to avoid explosion, leakage and moisture;
2. Any severe shock to the charger is not recommended;
3. Only professional technicians should disassemble the charger in order to avoid damaging the charger;

Special Note

1. Please fully charge the device before first use;
2. Please perform full charge and discharge of the charger at least once a month;
3. If there is no ideal sunlight conditions the time for charging will be longer than expected.

Components included:

[Mobile phone connectors](#)